

TECHNICAL INFORMATION

TOPFLOW SCREED A STEELDECK

Tarmac Topflow Screed A SteelDeck screed is a blend of Gvylon binder, selected aggregates and clean potable water, to produce a pumpable, self-smoothing, flowing screed (manufactured to BSEN A3813:2002 and to specific requirements of LEWIS® Deck dovetail sheeting).

USES

Topflow Screed A SteelDeck is designed specifically to be used with LEWIS® Deck dovetail sheeting, for use with either timber, metal web or steel joists in masonry, timber or lightweight steel structures. To form either ground, separating or mezzanine floor constructions.

SPECIFIC FEATURES

- Increased productivity compared to floating floor treatments
- Improved loading compared to floating floor treatments
- Can easily accommodate UFH (underfloor heating) within the screed zone
- No need for loading out prior to flooring
- Easily achieves SR2 as described in BS8204:7
- Protein free – cannot harbour bacteria
- Minimum thermal expansion (0.12mm/mK)
- Dries at a rate of 1mm per day up to 40mm in good conditions
- Excellent UFH performance compared to floating floors
- Environmentally friendly screeds
- It is protein free and will not harbour bacteria
- It can receive foot traffic 48 hours after placing and partitions can be erected seven days after placing
- It is installed by trained and competent contractors who have invested in the necessary equipment to install the product correctly
- It is non-combustible and avoids the need for reinforcement

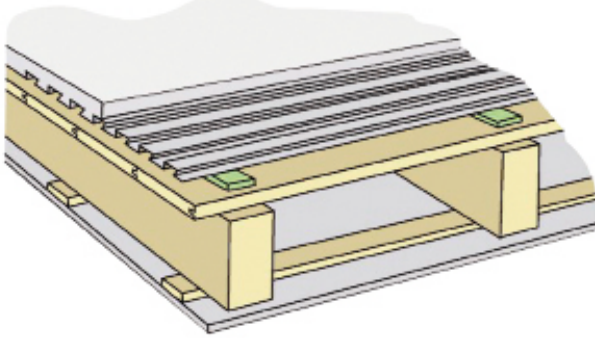
MINIMUM APPLICATION THICKNESS

Application thickness of Topflow Screed A SteelDeck over LEWIS® Deck varies between 36mm and 75mm depending on loading, joist spacing and use of UFH. Please consult the LEWIS® Deck data sheet for confirmation. Typical Thickness: 50mm (minimum 20mm cover to heating pipes)

TECHNICAL DATA

Appearance/Colour:	off-white fluid mortar
Water demand:	13–18% b.w
pH:	>10
Wet density:	2200 kg/mm ³
Dry density:	2000 kg/mm ³
Typical screed properties	
Compressive strength:	C25N/kg/mm ²
Flexural strength:	F4 N/m ²

Topflow Screed A



LWS B0

Composite timber floor structure (joists and tongue and groove timber boards) with plasterboard ceiling and LEWIS® concrete floor on LEWIS® resilient strips placed directly above the line of the supporting floor joist.

Properties

R _w (C;C _{tr})	55 dB (-1;-7)
L _{n,w} (Ci)	49 dB (-1)
F ≥	60 minutes

DELIVERY

Topflow Screed A SteelDeck is supplied via Tarmac's network of screed plants.

HEALTH AND SAFETY

Some of the components of this product may be hazardous during mixing and application.

Please consult the relevant Health and Safety Data Sheets, available from Tarmac on request and provided with each delivery.

ENVIRONMENTAL

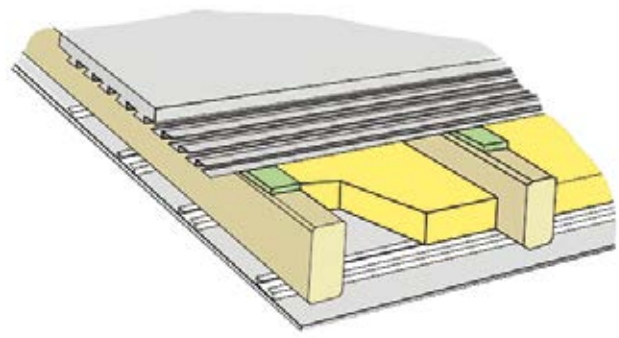
Topflow Screed A SteelDeck is produced using Gyvlon binder, which is manufactured from an industry by product.

Topflow Screed A - Average 36% Recycled Content

Recyclability - 100% Recyclable

VOC Content - VOC Free

Topflow Screed A



LWS A8

Composite timber floor structure with plasterboard ceiling, mineral wool in cavity and LEWIS® concrete floor. LEWIS® resilient strips paced directly on the supporting floor joist.

PROPERTIES

R _w (C;C _{tr})	59 dB (-3;-7)
L _{n,w} (Ci)	49 dB(-2)
F ≥	60 minutes